



**Material Options:**



**Oak Trio**  
with maple inlay



**Olive Ash Trio**  
with white ash inlay



**Walnut Trio**  
with maple inlay

\* Contact ELK / retailer for bespoke material options

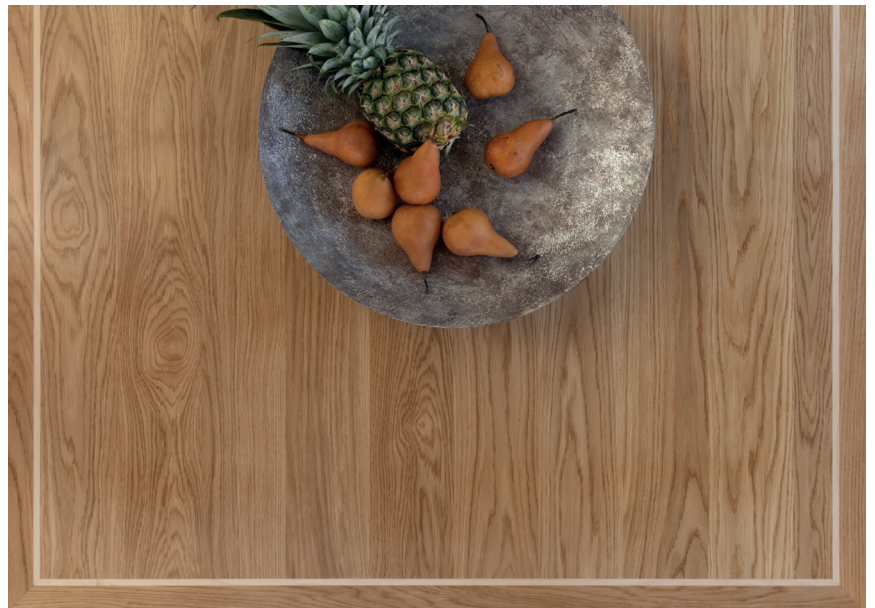
---

## Description:

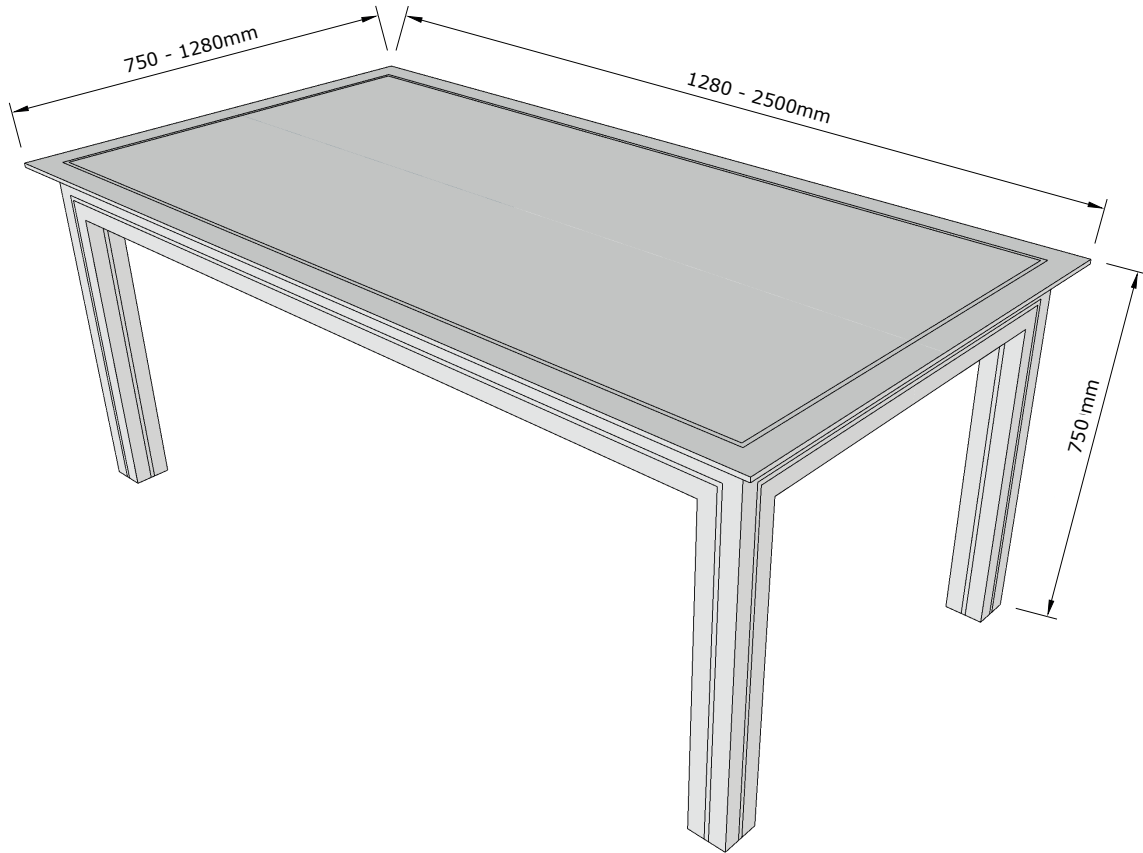
Refined, yet robust in appearance and durability, the ELK Resolve table is designed as the central meeting point for the family mealtime.

The tastefully restrained form of the Resolve table is enriched by the use of contrasting solid hardwoods and figurative grain pattern. The photographed example features a hand selected crown-cut solid oak top, accented with the ELK signature perimeter maple inlay detail. The maple inlay elegantly follows the geometry of the table base giving an all-round harmonious appearance.

As with all ELK furniture, pieces are made bespoke to order. See size and material options for more details.



**Dimensions:**



**Price:**

Size			Material Option		
			Oak with maple inlay	Olive Ash with white ash inlay	Walnut with maple inlay
Width	x	Length			
900 to 1280	x	1280	£ 3,530	£ 3,860	£ 4,190
900 to 1280	x	1400	£ 4,010	£ 4,360	£ 4,710
900 to 1280	x	1800	£ 4,395	£ 4,830	£ 5,280
900 to 1280	x	2220	£ 5,750	£ 6,320	£ 6,890
900 to 1280	x	2500	£ 6,590	£ 7,290	£ 7,990

**Bespoke options on material and size available upon request**

Retail prices include VAT @ 20%

**Delivery Information:**

Once an order has been placed, a member of the team will make contact to discuss delivery and installation options. Note: delivery costs are not included. Cost will vary according to location.

We aim to deliver in 6-10 weeks. Contact ELK / retailer for current delivery times.

---

**Care instructions:**

ELK products are fabricated to the highest possible standard. If handled correctly they should last for many years. Owners and operators of ELK products should read and follow care instructions fully to ensure that the furniture is maintained in the best possible condition.

**Timber care**

ELK products are made of high quality materials, including natural hardwood. All timbers are processed to ensure that all products leave the factory in the most stable condition possible. This includes the highly effective ELK signature technique of laminating timbers into very strong triple-laminated frame members. It must be considered however that timber is a natural "living" material that can be subject to some movement & discolouration over time, and requires careful treatment in use and storage.

**Excessive moisture, humidity and temperature changes**

Prolonged contact with moisture should be avoided. Excessive humidity and temperature changes should be avoided, so not to cause deformity of timber members. Water resistant finishes are applied to minimize risks, but as with any timber products the risk cannot be mitigated completely.

**The effect of oxidisation and UV light on wood colour**

ELK use special lacquer coatings, developed to minimise the effect of UV light on our furniture. Even with the best coatings however, timber will change colour.

Different timbers change colour at different rates and in different ways. Lighter woods will have a tendency to darken, and darker woods will have a tendency to lighten.

For example, cherry is highly photosensitive, and will darken fairly rapidly in the short to medium term. In contrast, American black Walnut will go lighter and redder, but at a much slower rate.

It is recommended that you make timber choices in liaison with ELK / an ELK retailer to specify the most suitable timber finishes for your space.

**Lacquer and paint finish care:**

As standard ELK furniture comes delivered with a hard-wearing lacquer finish (unless an organic oil finish is requested), specifically chosen for ease of maintenance. Cleaning can be carried out with a damp clean cloth.

**Impact, abrasion, chemical and excessive heat**

Timber is very strong but impacts from hard materials can cause damage to the woods and coatings. Finish coatings are susceptible to damage by abrasion, aggressive chemicals and excessive heat.

**Warranty information:**

Provided that ELK furniture is handled in accordance with the care instructions, all items are subject to a 5 year warranty unless otherwise stated at the point of purchase.