



Frame Material Options:



Ash Solo
Solo



Walnut Trio
with Maple inlay



Oak Trio
with Maple inlay



Oak



Walnut



Any Colour
Painted hardwood

Frontals & Panels Material Options:

* Contact ELK/ retailer for bespoke material options

Description:

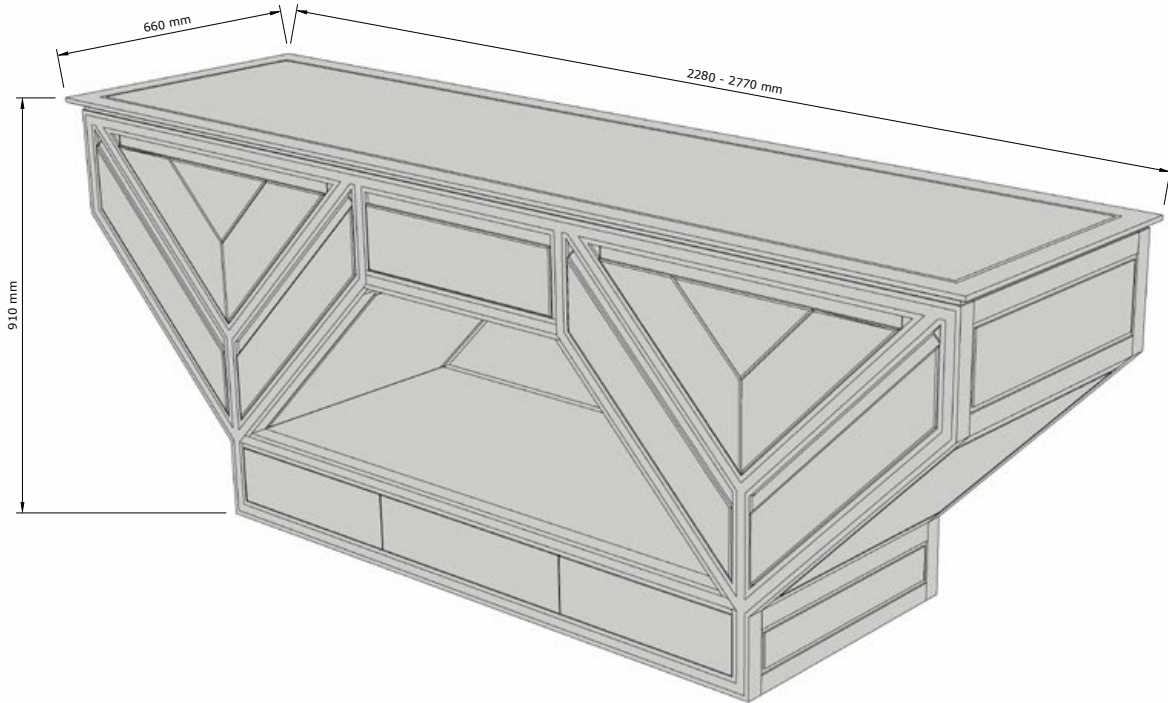
The Two Tree Credenza table is a delightfully ingenious piece of furniture which embodies ELK's signature detailing. The trio frame of contrasting woods, coupled with the unique geometry of ELK's patent pending angled drawers creates a distinctive presence.

Equally at home in any room of the house, the Two Tree Credenza can be purposed as a dining room wine cellar, a servery or in a hallway key & glove store, behind the unique geometry is the same functionality found in the rest of the ELK furniture collection.

All ELK furniture pieces are meticulously crafted, bespoke to order. Drawer frontals are available in a solid wood finish or painted in any colour. See size and material options for more details.



Dimensions:



Retail price:

Material Options

Size	Material Options		
	Ash Solo With painted frontals	Oak & Maple With painted / Oak frontals	Walnut & Maple With painted frontals
450 x 2280 - 2770	£18,450	£ 18,950	£ 19,950
Bespoke Options	Available upon request		

Optional Extras:

Walnut Frontals	add £895 per side
Integrated Light fittings	add £250 per fitting
Bespoke V-drawer inserts	starting at £350 per drawer (Contact ELK / Retailer to discuss options)

Retail prices include VAT @ 20%

Delivery Information:

Once you have placed an order, a member of the team will be in contact to discuss your deliver and installation options. Note: delivery costs are not included. Cost will vary according to location.

We aim to deliver in 6-10 weeks. Contact ELK / retailer for current delivery times.

Care instructions:

ELK products are fabricated to the highest possible standard. If handled correctly they should last for many years. Owners and operators of ELK products should read and follow care instructions fully to ensure that the furniture is maintained in the best possible condition.

Timber care

ELK products are made of high quality materials, including natural hardwood. All timbers are processed to ensure that all products leave the factory in the most stable condition possible. This includes the highly effective ELK signature technique of laminating timbers into very strong triple-laminated frame members. It must be considered however that timber is a natural "living" material that can be subject to some movement & discolouration over time, and requires careful treatment in use and storage.

Excessive moisture, humidity and temperature changes

Prolonged contact with moisture should be avoided. Excessive humidity and temperature changes should be avoided, so not to cause deformity of timber members. Water resistant finishes are applied to minimize risks, but as with any timber products the risk cannot be mitigated completely.

The effect of oxidisation and UV light on wood colour

ELK use special lacquer coatings, developed to minimise the effect of UV light on our furniture. Even with the best coatings however, timber will change colour.

Different timbers change colour at different rates and in different ways. Lighter woods will have a tendency to darken, and darker woods will have a tendency to lighten.

For example, cherry is highly photosensitive, and will darken fairly rapidly in the short to medium term. In contrast, American black Walnut will go lighter and redder, but at a much slower rate.

It is recommended that you make timber choices in liaison with ELK / an ELK retailer to specify the most suitable timber finishes for your space.

Lacquer and paint finish care:

As standard ELK furniture comes delivered with a hard-wearing lacquer finish (unless an organic oil finish is requested), specifically chosen for ease of maintenance. Cleaning can be carried out with a damp clean cloth.

Impact, abrasion, chemical and excessive heat

Timber is very strong but impacts from hard materials can cause damage to the woods and coatings. Finish coatings are susceptible to damage by abrasion, aggressive chemicals and excessive heat.

Warranty information:

Provided that ELK furniture is handled in accordance with the care instructions, all items are subject to a 5 year warranty unless otherwise stated at the point of purchase.